	Datasheet	No.	DS10-U011
		Initial Date	2020-05-28
OU	OUB8M8841	Written Team	R&D Dept.
			GH Zheng

I Preview


PN	OUB8M8841
Description	100G/40G QSFP28 SR4 850nm Bi-Di 0.1KM LC DDMI 10~70 °C

II Contents

1. Features
2. Applications
3. Description
4. Absolute maximum Ratings
5. Operating Environment
6. Optical and Electrical Characteristics
7. Digital Diagnostic Memory Map
8. Pin Descriptions
9. Mechanical Dimensions
10. Model Ordering Information

III Revision History

No.	Date	Items	Change Recording	Ver.	Rev.	Customer
1	2020-05-28	All	Initial registration	000	000	Standard
2						
3						
4						
5						
6						

 Communication Limited	Datasheet		DS10-U011 Final Rev.: 2020-05-28	
	Product	100G QSFP28 transceiver OU serials	Ver.	000
	Part No.	OUB8M8841	Rev.	000
			Page	2 / 8

1. Features:

- ◆ Compliant to the 100Gb specification per IEEE 802.3ba-2010
- ◆ Transmission data rate up to 28Gbit/s per channel
- ◆ Compliant to QSFP28 SFF-8436 Specification
- ◆ LC connector receptacle
- ◆ Hot Pluggable QSFP28 form factor
- ◆ Maximum link length of 70m on OM3 Multimode Fiber (MMF) and 100m on OM4 MMF for 100G; 100m on OM3 Multimode Fiber (MMF) and 150m on OM4 MMF for 40G
- ◆ Compatible with RoHS
- ◆ Single +3.3V power supply
- ◆ Real Time Digital Diagnostic Monitoring
- ◆ Operating case temperature: 10 to +60 °C for 100G
10 to +70 °C for 40G

2. Applications


- ◆ 40GBASE-SR4 Ethernet
- ◆ 100GBASE-SR4 Ethernet
- ◆ Switch, router and HBAs
- ◆ Infiniband transmission at 4 channels SDR, DDR and QDR
- ◆ High-performance Backplane Applications
- ◆ Proprietary Protocol Applications
- ◆ Data center
- ◆ Other links

3. Description

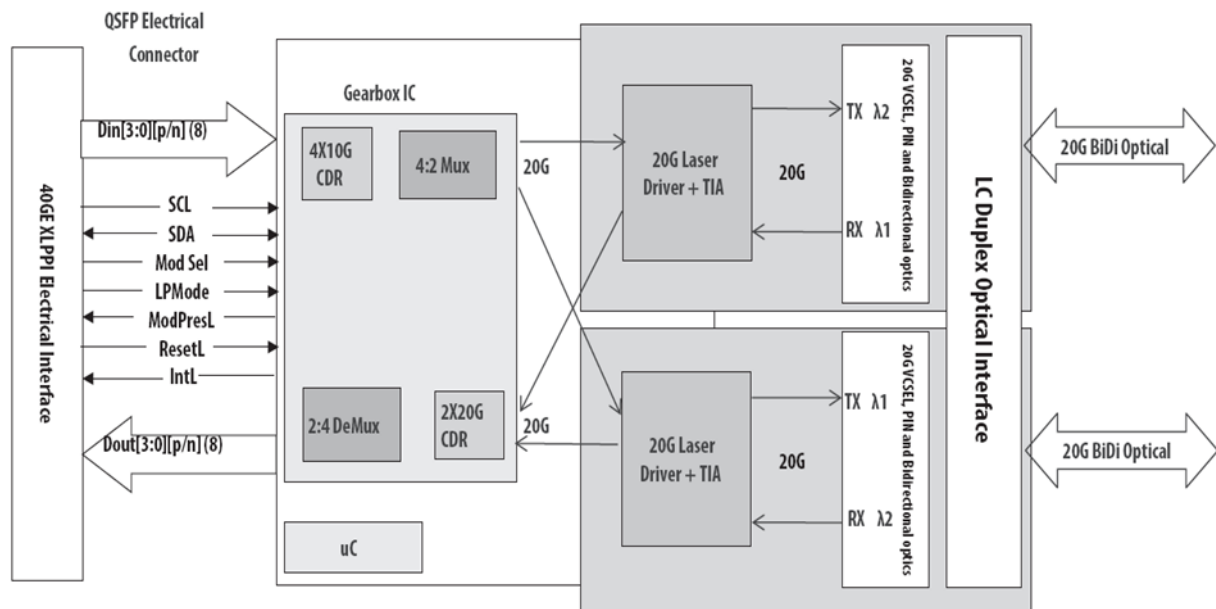
The 100G QSFP+ SR4 Bi-Di transceivers are high performance, cost effective modules supporting dual data rate of 40Gbps and 100m transmission distance with MMF: 100m on OM3 Multimode Fiber (MMF) and 150m on OM4 MMF. 100G with 70m on OM3 Multimode Fiber (MMF) and 100m on OM4 MMF. It integrates four electrical data lanes in each direction into transmission over a single LC duplex fiber optic cable. Each electrical lane operates at 28 Gbps and conforms to the 100GE interface. All modules satisfy class I laser safety requirements. The transceivers are compatible with 100GBASE-SR4 of IEEE802.3ba standard and SFF-8436 specification.

The transceiver internally multiplexes an XLPII 4x28G interface into two 50Gb/electrical channels, transmitting and receiving each optically over one simplex LC fiber using bi-directional optics. This results in an aggregate bandwidth of 100Gbps into a duplex LC cable. This allows reuse of the installed LC duplex cabling infrastructure for 100GbE

OCRE COMMUNICATION LIMITED Web: www.ocrecom.com E-Mail: sales@ocrecom.com Add. Dist.A, Building 6, Bay on the six block, Xixiang, Baoan Dist, Shenzhen, China 518000 Tel: + 86 755 2335 3855 Fax: + 86 755 2335 3855	DESIGN	CHECK	CHECK	APPROVAL

 CRE Communication Limited	Datasheet		DS10-U011 Final Rev.: 2020-05-28	
	Product	100G QSFP28 transceiver OU serials	Ver.	000
	Part No.	OUB8M8841	Rev.	000
			Page	3 / 8

application. Link distances up to 70 m using OM3 and 100m using OM4 optical fiber are supported. These modules are de- signed to operate over multimode fiber systems using a nominal wavelength of 850nm on one end and 900nm on the other end. The electrical interface uses a 38 contact QSFP type edge connector. The optical interface uses a conventional LC duplex connector.



Transceiver functional diagram

4. Absolute Maximum Ratings


Parameter	Symbol	Min	Max	Unit
Supply Voltage	Vcc	-0.5	3.6	V
Storage Temperature	Ts	-40	+85	°C
Operating Humidity	-	5	85	%

5. Operating Environment

Parameter	Symbol	Min	Typical	Max	Unit
Operating Case Temperature	Tc	10		+70	°C
Power Supply Voltage	Vcc	3.135	3.30	3.465	V
Power Dissipation	Pm			3.5	W
Data Rate			28		Gbps

6. Optical and Electrical Characteristics

OCRE COMMUNICATION LIMITED Web: www.ocrecom.com E-Mail: sales@ocrecom.com Add. Dist.A, Building 6, Bay on the six block, Xixiang, Baoan Dist, Shenzhen, China 518000 Tel: + 86 755 2335 3855 Fax: + 86 755 2335 3855	DESIGN	CHECK	CHECK	APPROVAL

 Communication Limited	Datasheet		DS10-U011 Final Rev.: 2020-05-28	
	Product	100G QSFP28 transceiver OU serials	Ver.	000
	Part No.	OUB8M8841	Rev.	000
			Page	4 / 8

Parameter	Symbol	Min	Typical	Max	Unit	Notes
Transmitter						
Centre Wavelength	Λ_{c1}	855	860	868	nm	
Centre Wavelength	Λ_{c2}	882	900	908	nm	
RMS spectral width	$\Delta\lambda$	-	-	0.65	nm	
Average launch power, each lane	P_{out}	-6		+4	dBm	100G
Average launch power, each lane	P_{out}	-4		+5	dBm	40G
Extinction Ratio	ER	3.5			dB	
Average launch power of OFF transmitter,each lane	P_{off}			-30	dBm	
Transmitter and Dispersion Penalty each lane	TDP			3.5	dB	
Optical Return Loss Tolerance	ORL			12	dB	
Transmitter Eye Mask Definition {X1, X2, X3, Y1, Y2, Y3}	{0.23, 0.34, 0.43, 0.27, 0.35, 0.4}					
Receiver						
Centre Wavelength	Λ_{c1}	882	900	908	nm	
Centre Wavelength	Λ_{c2}	855	860	868	nm	
Damage threshold	THd	3.4			dBm	
Average power at receiver input,each lane		-7.9	-	+4	dBm	100G
Average power at receiver input,each lane		-6	-	+5	dBm	40G
Receiver Reflectance	R_r			-12	dBm	
LOS De-Assert	LOS_D			-14	dBm	
LOS Assert	LOS_A	-30			dBm	
LOS Hysteresis		0.5			dB	

7. Digital Diagnostic Memory Map

The transceivers provide serial ID memory contents and diagnostic information about the present operating conditions by the 2-wire serial interface (SCL, SDA).

The digital diagnostic memory map specific data field defines as following.

OCRE COMMUNICATION LIMITED Web: www.ocrecom.com E-Mail: sales@ocrecom.com Add. Dist.A, Building 6, Bay on the six block, Xixiang, Baoan Dist, Shenzhen, China 518000 Tel: + 86 755 2335 3855 Fax: + 86 755 2335 3855	DESIGN	CHECK	CHECK	APPROVAL



Communication Limited

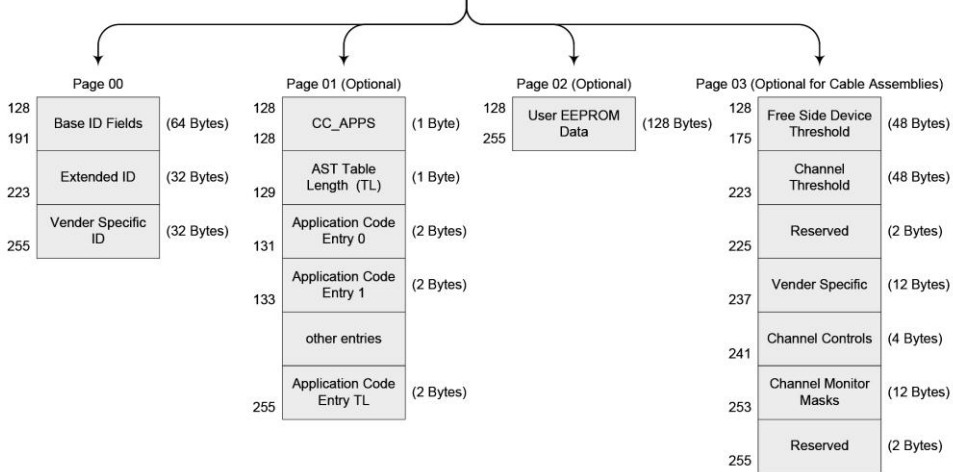
Datasheet

DS10-U011
Final Rev.: 2020-05-28


Product	100G QSFP28 transceiver OU serials	Ver.	000
Part No.	OUB8M8841	Rev.	000
		Page	5 / 8

2-Wire Serial Address: 1010000x

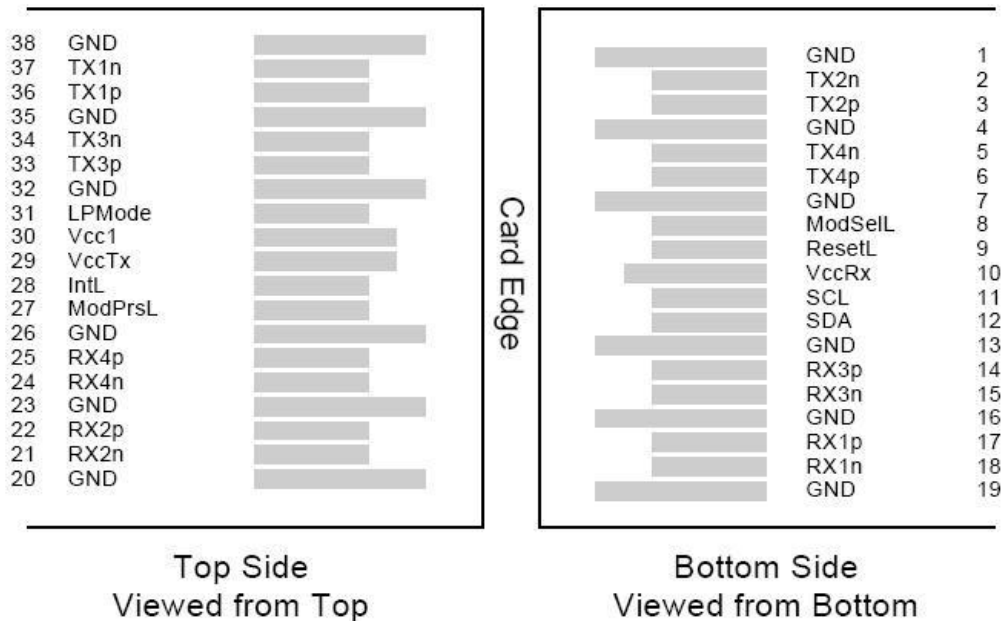
0	ID and status	(3 Bytes)
2		
21	Interrupt Flags	(19 Bytes)
33	Module Monitors	(12 Bytes)
81	Channel Monitors	(48 Bytes)
85	Reserved	(4 Bytes)
97	Control	(12 Bytes)
99	Reserved	(2 Bytes)
106	Free Side Device and Channel Mask	(7 Bytes)
107	Reserved	(1 Bytes)
111	Free Side Device Properties	(4 Bytes)
118	Reserved	(7 Bytes)
122	Password Change Entry Area (Optional)	(4 Bytes)
126	Password Entry Area (Optional)	(4 Bytes)
127	Page Select Byte	(1 Bytes)



OCRE COMMUNICATION LIMITED Web: www.ocrecom.com E-Mail: sales@ocrecom.com Add. Dist.A, Building 6, Bay on the six block, Xixiang, Baoan Dist, Shenzhen, China 518000 Tel: + 86 755 2335 3855 Fax: + 86 755 2335 3855	DESIGN	CHECK	CHECK	APPROVAL


 CRE Communication Limited	Datasheet		DS10-U011 Final Rev.: 2020-05-28	
	Product	100G QSFP28 transceiver OU serials	Ver.	000
	Part No.	OUB8M8841	Rev.	000
			Page	6 / 8

8. Pin Descriptions



PIN	Logic	Symbol	Name/Description	Note
1		GND	Ground	1
2	CML-I	Tx2n	Transmitter Inverted Data Input	
3	CML-I	Tx2p	Transmitter Non-Inverted Data output	
4		GND	Ground	1
5	CML-I	Tx4n	Transmitter Inverted Data Input	
6	CML-I	Tx4p	Transmitter Non-Inverted Data output	
7		GND	Ground	1
8	LVTLL-I	ModSelL	Module Select	
9	LVTLL-I	ResetL	Module Reset	
10		VccRx	+ 3.3V Power Supply Receiver	2
11	LVC MOS-I/O	SCL	2-Wire Serial Interface Clock	
12	LVC MOS-I/O	SDA	2-Wire Serial Interface Data	
13		GND	Ground	
14	CML-O	Rx3p	Receiver Non-Inverted Data Output	

OCRE COMMUNICATION LIMITED Web: www.ocrecom.com E-Mail: sales@ocrecom.com Add. Dist.A, Building 6, Bay on the six block, Xixiang, Baoan Dist, Shenzhen, China 518000 Tel: + 86 755 2335 3855 Fax: + 86 755 2335 3855	DESIGN	CHECK	CHECK	APPROVAL

 CRE Communication Limited	Datasheet		DS10-U011 Final Rev.: 2020-05-28	
	Product	100G QSFP28 transceiver OU serials	Ver.	000
	Part No.	OUB8M8841	Rev.	000
			Page	7 / 8


15	CML-O	Rx3n	Receiver Inverted Data Output	
16		GND	Ground	1
17	CML-O	Rx1p	Receiver Non-Inverted Data Output	
18	CML-O	Rx1n	Receiver Inverted Data Output	
19		GND	Ground	1
20		GND	Ground	1
21	CML-O	Rx2n	Receiver Inverted Data Output	
22	CML-O	Rx2p	Receiver Non-Inverted Data Output	
23		GND	Ground	1
24	CML-O	Rx4n	Receiver Inverted Data Output	1
25	CML-O	Rx4p	Receiver Non-Inverted Data Output	
26		GND	Ground	1
27	LVTTL-O	ModPrsL	Module Present	
28	LVTTL-O	IntL	Interrupt	
29		VccTx	+3.3 V Power Supply transmitter	2
30		Vcc1	+3.3 V Power Supply	2
31	LVTTL-I	LPMODE	Low Power Mode	
32		GND	Ground	1
33	CML-I	Tx3p	Transmitter Non-Inverted Data Input	
34	CML-I	Tx3n	Transmitter Inverted Data Output	
35		GND	Ground	1
36	CML-I	Tx1p	Transmitter Non-Inverted Data Input	
37	CML-I	Tx1n	Transmitter Inverted Data Output	
38		GND	Ground	1

Notes:

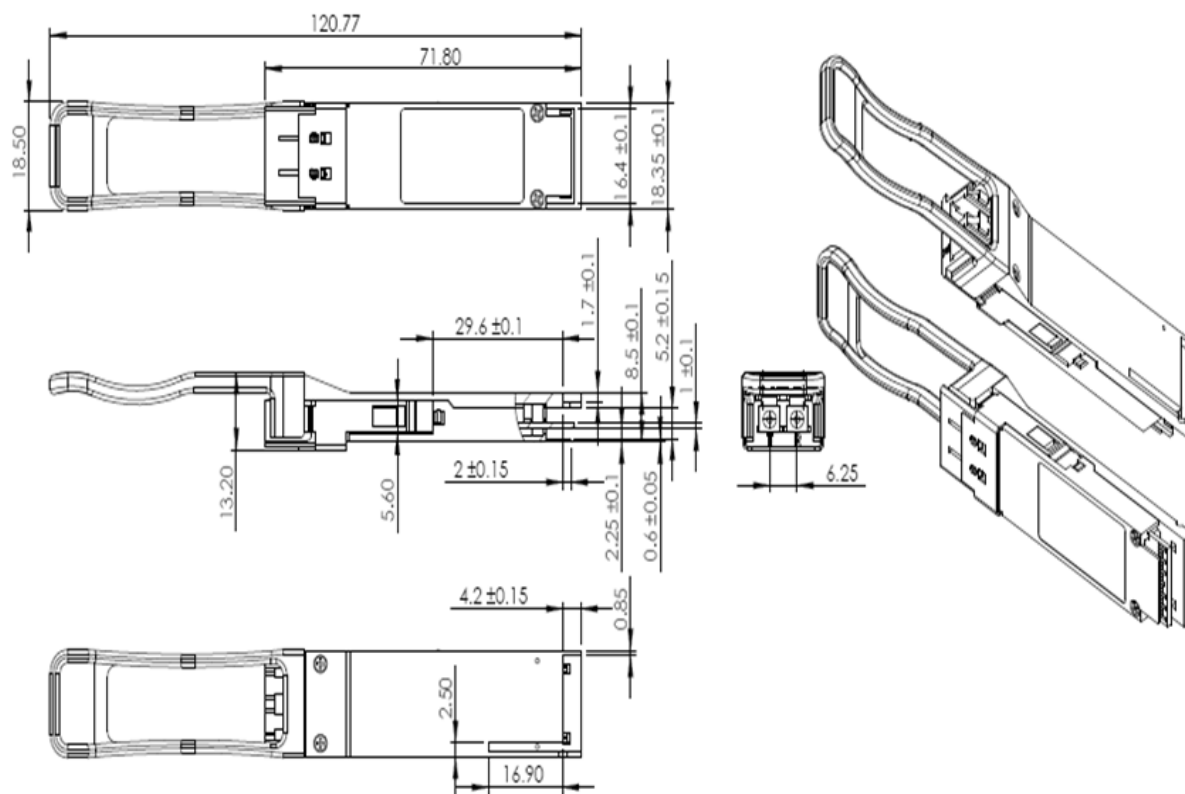
1. GND is the symbol for signal and supply (power) common for QSFP modules. All are common within the QSFP module and all module voltages are referenced to this potential unless otherwise noted. Connect these directly to the host board signal common ground plane.

2. VccRx, Vcc1 and VccTx are the receiver and transmitter power suppliers and shall be applied concurrently. Recommended host board power supply filtering is shown below. Vcc Rx, Vcc1 and Vcc Tx may be internally connected within the QSFP transceiver module in any combination. The connector pins are each rated for a maximum current of 500mA.

OCRE COMMUNICATION LIMITED Web: www.ocrecom.com E-Mail: sales@ocrecom.com Add. Dist.A, Building 6, Bay on the six block, Xixiang, Baoan Dist, Shenzhen, China 518000 Tel: + 86 755 2335 3855 Fax: + 86 755 2335 3855	DESIGN	CHECK	CHECK	APPROVAL

 CRE Communication Limited	Datasheet		DS10-U011 Final Rev.: 2020-05-28	
	Product	100G QSFP28 transceiver OU serials	Ver.	000
	Part No.	OUB8M8841	Rev.	000
			Page	8 / 8

9. Mechanical Dimensions



10. Module Ordering information

PN	Description
OUB8M8841	100G/40G QSFP SR4 850nm Bi-Di 0.1KM LC DDMI 10~70 °C

OCRE COMMUNICATION LIMITED Web: www.ocrecom.com E-Mail: sales@ocrecom.com Add. Dist.A, Building 6, Bay on the six block, Xixiang, Baoan Dist, Shenzhen, China 518000 Tel: + 86 755 2335 3855 Fax: + 86 755 2335 3855	DESIGN	CHECK	CHECK	APPROVAL