	Datasheet	No.	DS10-E014
		Initial Date	2016-05-18
OE	OTED641	Written Team	R&D Dept.
			GH Zheng

I Preview


PN	OTED641
Description	Tunable SFP+, 10Gb/s C-band DWDM 80KM LC DDMI 0~70°C

II Contents

1. Product Features
2. Product Applications
3. PRODUCT DESCRIPTION
4. Absolute Maximum Ratings
5. Recommended Operating Conditions
6. Optical Characteristics
7. Electrical Characteristics
8. Timing Parameters
9. Pin Description
10. Digital Diagnostic Functions
11. Host - Transceiver Interface Block Diagram
12. Mechanical Specifications
13. Model Ordering Information

III Revision History

No.	Date	Items	Change Recording	Ver.	Rev.	Customer
1	2016-05-18	All	Initial registration	000	000	Standard
2						
3						
4						
5						
6						

 Communication Limited	Datasheet		DS10-E014 Rev.: 2016-05-18	
	Product	SFP+ Transceiver OE series	Ver.	000
	Part No.	OED65041	Rev.	
		Page	2 / 10	

1. Product Features

- ◆ Supports 9.95Gb/s to 11.3Gb/s bit rates
- ◆ Monolithically integrated full C-band tunable transmitter and APD receiver
- ◆ 50 GHz ITU channel spacing with integrated wavelength locker
- ◆ Maximum link length of 80km
- ◆ Metal enclosure, for lower EMI
- ◆ 2-wire interface with integrated Digital Diagnostic monitoring
- ◆ Hot-pluggable SFP+ footprint
- ◆ Specifications compliant with SFF-8472 V10.3& SFF-8690 V1.4
- ◆ Compliant with SFP+ MSA with LC connector
- ◆ Power dissipation <1.65W
- ◆ Case temperature range: -5°C to 70°C

2. Product Applications

- ◆ DWDM 10GBASE-ZR/ZW 10G Ethernet
- ◆ DWDM 80KM 10G Fiber Channel
- ◆ DWDM SONET OC-192&SDH STM-64

3. PRODUCT DESCRIPTION

The 10 Gb/s SFP+ tunable transceiver is an integrated fiber optic transceiver that provides a high-speed serial link at Data rates from 9.95 Gb/s to 11.3 Gb/s. The module complies with the 10 Gigabit Enhanced Small Form Factor Pluggable (SFP+) multisource agreement-MSA (SFF-8431) and SFF-8432, SFF-8690, SFF 8472. It complies with the ITU-T G.698.1 standard with 50 GHz channel spacing for SONET/SDH, IEEE DWDM 10GBASE-ZR for 80 km reach (Ethernet), and DWDM 10GFC for 80 km reach (Fiber Channel) applications.

The transceiver integrates the receiver and transmitter path on one module. The transceiver contains a C-band-tunable integrated Mach-Zehnder (MZ) laser, enabling data transmission over single-mode fiber through an industry-standard LC connector. On the receiver side, the 10 Gb/s data stream is recovered from an APD/trans-impedance amplifier, and passed to an output driver. This module features a hot-pluggable electrical interface.

Wavelength Guide Table

Channel	Wavelength (nm)	Frequency (THZ)	Channel	Wavelength (nm)	Frequency (THZ)
1	1568.36	191.15	51	1548.11	193.65
2	1567.95	191.20	52	1547.72	193.70
3	1567.54	191.25	53	1547.32	193.75
4	1567.13	191.30	54	1546.92	193.80

OCRE COMMUNICATION LIMITED Web: www.ocrecom.com E-Mail: sales@ocrecom.com Add. Dist.A, Building 6, Bay on the six block, Xixiang, Baoan Dist. Shenzhen, 518102 China Tel: + 86 755 2335 3855 Fax: + 86 755 2335 3855	DESIGN	CHECK	CHECK	APPROVAL



Communication Limited

Datasheet

DS10-E014
Rev.: 2016-05-18

Product

SFP+ Transceiver
OE series

Ver.

000

Part No.

OED65041

Rev.

Page

3 / 10

5	1566.72	191.35	55	1546.52	193.85
6	1566.31	191.40	56	1546.12	193.90
7	1565.90	191.45	57	1545.72	193.95
8	1565.50	191.50	58	1545.32	194.00
9	1565.09	191.55	59	1544.92	194.05
10	1564.68	191.60	60	1544.53	194.10
11	1564.27	191.65	61	1544.13	194.15
12	1563.86	191.70	62	1543.73	194.20
13	1563.45	191.75	63	1543.33	194.25
14	1563.05	191.80	64	1542.94	194.30
15	1562.64	191.85	65	1542.54	194.35
16	1562.23	191.90	66	1542.14	194.40
17	1561.83	191.95	67	1541.75	194.45
18	1561.42	192.00	68	1541.35	194.50
19	1561.01	192.05	69	1540.95	194.55
20	1560.61	192.10	70	1540.56	194.60
21	1560.20	192.15	71	1540.16	194.65
22	1559.79	192.20	72	1539.77	194.70
23	1559.39	192.25	73	1539.37	194.75
24	1558.98	192.30	74	1538.98	194.80
25	1558.58	192.35	75	1538.58	194.85
26	1558.17	192.40	76	1538.19	194.90
27	1557.77	192.45	77	1537.79	194.95
28	1557.36	192.50	78	1537.40	195.00
29	1556.96	192.55	79	1537.00	195.05
30	1556.55	192.60	80	1536.61	195.10
31	1556.15	192.65	81	1536.22	195.15
32	1555.75	192.70	82	1535.82	195.20
33	1555.34	192.75	83	1535.43	195.25
34	1554.94	192.80	84	1535.04	195.30
35	1554.54	192.85	85	1534.64	195.35
36	1554.13	192.90	86	1534.25	195.40
37	1553.73	192.95	87	1533.86	195.45
38	1553.33	193.00	88	1533.47	195.50
39	1552.93	193.05	89	1533.07	195.55
40	1552.52	193.10	90	1532.68	195.60
41	1552.12	193.15	91	1532.29	195.65
42	1551.72	193.20	92	1531.90	195.70
43	1551.32	193.25	93	1531.51	195.75
44	1550.92	193.30	94	1531.12	195.80
45	1550.52	193.35	95	1530.72	195.85
46	1550.12	193.40	96	1530.33	195.90
47	1549.72	193.45	97	1529.94	195.95
48	1549.32	193.50	98	1529.55	196.00
49	1548.91	193.55	99	1529.16	196.05
50	1548.51	193.60			

OCRE COMMUNICATION LIMITED

Web: www.ocrecom.com

E-Mail: sales@ocrecom.com

Add. Dist.A, Building 6, Bay on the six block, Xixiang,

Baoan Dist. Shenzhen, 518102 China


Tel: + 86 755 2335 3855 Fax: + 86 755 2335 3855

DESIGN

CHECK

CHECK

APPROVAL

 Communication Limited	Datasheet		DS10-E014 Rev.: 2016-05-18	
	Product	SFP+ Transceiver OE series	Ver.	000
	Part No.	OED65041	Rev.	
			Page	4 / 10

Note:

- When a tunable module is plugged in for the first time, it will go to a default channel, DWDM 80KM Tunable default channel is 1568.36nm, compatible with channel range from 1 to 99
- When the module is power cycled it will automatically go to the last channel selected, or when Tx_Disable asserted and then re-enabled, the module returns to the last channel selected.

4. Absolute Maximum Ratings

Parameter	Symbol	Min.	Typ.	Max.	Unit	Note
Storage Temperature	Ts	-40	-	85	°C	
Relative Humidity	RH	5	-	85	%	
Power Supply Voltage	VCC	-0.3	-	3.6	V	
Signal Input Voltage		Vcc-0.3	-	Vcc+0.3	V	


5. Recommended Operating Conditions

Parameter	Symbol	Min.	Typ.	Max.	Unit	Note
Case Operating Temperature	Tcase	-5	-	70	°C	Without air flow
Power Supply Voltage	VCC	3.14	3.3	3.47	V	
Power Supply Current	ICC	-		500	mA	
Data Rate	BR		10.3125		Gbps	
Transmission Distance	TD		-	80	km	
Coupled fiber	Single mode fiber					9/125um SMF

6. Optical Characteristics

Parameter	Symbol	Min	Typ	Max	Unit	NOTE
Transmitter						
Average Optical Power	Pout	-1		3	dBm	1
Frequency stability (BOL)		$f_c-1.5$		$f_c+1.5$	GHz	2
Frequency stability (EOL)		$f_c-2.5$		$f_c+2.5$	GHz	2
Center Wavelength Spacing			50		GHz	3
Optical Extinction Ratio	ER	8.2			dB	
Side mode Suppression ratio	SMSR	35			dB	
Average Launch Power(Laser off)	Poff			-30	dBm	
Output Eye Mask	Compliant with IEEE 802.3ae					
Receiver						

OCRE COMMUNICATION LIMITED Web: www.ocrecom.com E-Mail: sales@ocrecom.com Add. Dist.A, Building 6, Bay on the six block, Xixiang, Baoan Dist. Shenzhen, 518102 China Tel: + 86 755 2335 3855 Fax: + 86 755 2335 3855	DESIGN	CHECK	CHECK	APPROVAL

 CRE Communication Limited	Datasheet		DS10-E014 Rev.: 2016-05-18	
	Product	SFP+ Transceiver OE series	Ver.	000
	Part No.	OED65041	Rev.	
			Page	5 / 10

Rx Sensitivity with dispersion 0 ps/nm	RSENS			-23	dBm	@9.95, 10.3, 10.5Gbps, BER=10 ⁻¹²
				-27		@10.709Gbps, BER=10 ⁻⁴
				-27		@11.1Gbps, BER=10 ⁻⁴
				-26.5		@11.3Gbps, BER=10 ⁻⁴
Rx Sensitivity with dispersion -400 to +1450 ps/nm				-21		@9.95, 10.3, 10.5Gbps, BER=10 ⁻¹²
				-25		@10.709Gbps, BER=10 ⁻⁴
				-25		@11.1Gbps, BER=10 ⁻⁴
				-24		@11.3Gbps, BER=10 ⁻⁴
Input Saturation Power (Overload)	Psat	-6			dBm	
Wavelength Range	λ_c	1480	1580		nm	
LOS De-Assert	LOSD			-27	dBm	
LOS Assert	LOSA	-36			dBm	
LOS Hysteresis		0.5			dB	


Notes:

- Output power is power coupled into a 9/125 mm single-mode fiber.
- f_c refer to Page 2 the Frequency row of XGXP-DWT96-80D Wavelength Guide Table, and test condition is reflect power to transmitter lower than -27dBm.
- Corresponds to approximately 0.4 nm.

7. Electrical Characteristics

Parameter	Symbol	Min	Typ	Max	Unit	NOTE
Supply Voltage	Vcc	3.14	3.3	3.46	V	
Supply Current	Icc			500	mA	
Transmitter						

OCRE COMMUNICATION LIMITED Web: www.ocrecom.com E-Mail: sales@ocrecom.com Add. Dist.A, Building 6, Bay on the six block, Xixiang, Baoan Dist. Shenzhen, 518102 China Tel: + 86 755 2335 3855 Fax: + 86 755 2335 3855	DESIGN	CHECK	CHECK	APPROVAL

 Communication Limited	Datasheet		DS10-E014 Rev.: 2016-05-18	
	Product	SFP+ Transceiver OE series	Ver.	000
	Part No.	OED65041	Rev.	
			Page	6 / 10

Input differential impedance	ohm		100		Ω	1
Differential data input swing	V _{in,pp}	240		910	mV	
Transmit Disable Voltage	V _{dis}	V _{cc} -1.3		V _{cc}	V	
Transmit Enable Voltage	V _{en}	V _{ee}		V _{ee} +0.8	V	2
TX_FAULT Voltage-High		V _{cc} -1.3		V _{cc}	V	
TX_FAULT Voltage-Low		V _{ee}		V _{ee} +0.8	V	
Receiver						
Differential data output swing	V _{out,pp}	350		800	mV	3
Data output rise time	t _r	30			ps	4
Data output fall time	t _f	30			ps	4
LOS Fault		V _{cc} -1.3		V _{cc} HOST	V	5
LOS Normal		V _{ee}		V _{ee} +0.8	V	5

Notes:


1. Connected directly to TX data input pins. AC coupled thereafter.
2. Or open circuit.
3. Into 100 ohms differential termination.
4. These are unfiltered 20-80% values
5. Loss Of Signal is LVTTTL. Logic 0 indicates normal operation; logic 1 indicates no signal detected.

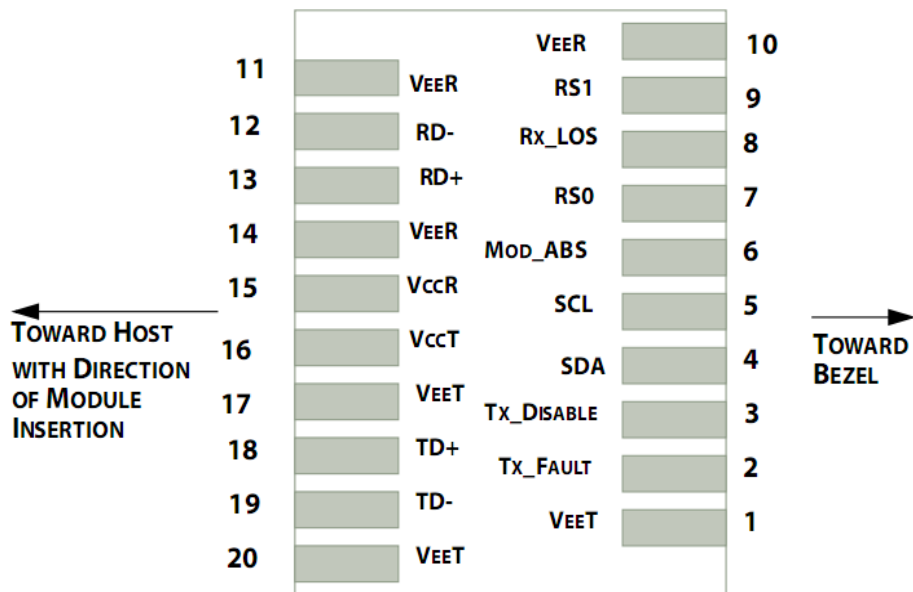
8. Timing Parameters

Parameter	Symbol	Min	Typ	Max	Unit	NOTE
Time to initialize cooled module	T _{start_up}			20	S	
Channel Switch time	T _{channelSwitch}			200	ms	Any channel to any channel

9. Pin Descriptions

OCRE COMMUNICATION LIMITED Web: www.ocrecom.com E-Mail: sales@ocrecom.com Add. Dist.A, Building 6, Bay on the six block, Xixiang, Baoan Dist. Shenzhen, 518102 China Tel: + 86 755 2335 3855 Fax: + 86 755 2335 3855	DESIGN	CHECK	CHECK	APPROVAL


 CRE Communication Limited	Datasheet		DS10-E014 Rev.: 2016-05-18	
	Product	SFP+ Transceiver OE series	Ver.	000
	Part No.	OED65041	Rev.	
			Page	7 / 10



Pin out of Connector Block on Host Board

Pin	Symbol	Name/Description	NOTE
1	V_{EET}	Transmitter Ground (Common with Receiver Ground)	1
2	T_{FAULT}	Transmitter Fault.	2
3	T_{DIS}	Transmitter Disable. Laser output disabled on high or open.	3
4	SDA	2-wire Serial Interface Data Line	4
5	SCL	2-wire Serial Interface Clock Line	4
6	MOD_ABS	Module Absent. Grounded within the module	4
7	RS0	Rate Select 0	5
8	LOS	Loss of Signal indication. Logic 0 indicates normal operation.	6
9	RS1	No connection required	1
10	V_{EER}	Receiver Ground (Common with Transmitter Ground)	1
11	V_{EER}	Receiver Ground (Common with Transmitter Ground)	1
12	RD-	Receiver Inverted DATA out. AC Coupled	
13	RD+	Receiver Non-inverted DATA out. AC Coupled	
14	V_{EER}	Receiver Ground (Common with Transmitter Ground)	1
15	V_{CCR}	Receiver Power Supply	
16	V_{CCT}	Transmitter Power Supply	
17	V_{EET}	Transmitter Ground (Common with Receiver Ground)	1
18	TD+	Transmitter Non-Inverted DATA in. AC Coupled.	
19	TD-	Transmitter Inverted DATA in. AC Coupled.	
20	V_{EET}	Transmitter Ground (Common with Receiver Ground)	1

OCRE COMMUNICATION LIMITED Web: www.ocrecom.com E-Mail: sales@ocrecom.com Add. Dist.A, Building 6, Bay on the six block, Xixiang, Baoan Dist. Shenzhen, 518102 China Tel: + 86 755 2335 3855 Fax: + 86 755 2335 3855	DESIGN	CHECK	CHECK	APPROVAL

 Communication Limited	Datasheet		DS10-E014 Rev.: 2016-05-18	
	Product	SFP+ Transceiver OE series	Ver.	000
	Part No.	OED65041	Rev.	
			Page	8 / 10

Notes:

1. Circuit ground is internally isolated from chassis ground.
2. T_{FAULT} is an open collector/drain output, which should be pulled up with a 4.7k – 10k Ohms resistor on the host board if intended for use. Pull up voltage should be between 2.0V to $V_{\text{cc}} + 0.3\text{V}$. A high output indicates a transmitter fault caused by either the TX bias current or the TX output power exceeding the preset alarm thresholds. A low output indicates normal operation. In the low state, the output is pulled to <0.8V.
3. Laser output disabled on $T_{\text{DIS}} > 2.0\text{V}$ or open, enabled on $T_{\text{DIS}} < 0.8\text{V}$.
4. Should be pulled up with 4.7k Ω - 10k Ω host board to a voltage between 2.0V and 3.6V. MOD_ABS pulls line low to indicate module is plugged in.
5. Internally pulled down per SFF-8431 Rev 4.1.
6. LOS is open collector output. It should be pulled up with 4.7k Ω – 10k Ω on host board to a voltage between 2.0V and 3.6V. Logic 0 indicates normal operation; logic 1 indicates loss of signal.

10. Digital Diagnostic Functions

Tunable DWDM SFP+ 80km transceivers support the 2-wire serial communication protocol as defined in the SFP+ MSA.

The standard SFP serial ID provides access to identification information that describes the transceiver’s capabilities, standard interfaces, manufacturer, and other information. Additionally, SFP+ transceivers provide a unique enhanced digital diagnostic monitoring interface, which allows real-time access to device operating parameters such as transceiver temperature, laser bias current, transmitted optical power, received optical power and transceiver supply voltage. It also defines a sophisticated system of alarm and warning flags, which alerts end-users when particular operating parameters are outside of a factory set normal range.

The SFP+ MSA defines a 256-byte memory map in EEPROM that is accessible over a 2-wire serial interface at the 8 bit address 1010000X (A0h). The digital diagnostic monitoring interface makes use of the 8 bit address 1010001X (A2h), so the originally defined serial ID memory map remains unchanged.

The operating and diagnostics information is monitored and reported by a Digital Diagnostics Transceiver Controller (DDTC) inside the transceiver, which is accessed through a 2-wire serial interface. When the serial protocol is activated, the serial clock signal (SCL, Mod Def 1) is generated by the host. The positive edge clocks data into the SFP transceiver into those segments of the E2PROM that are not write-protected. The negative edge clocks data from the SFP transceiver.

The serial data signal (SDA, Mod Def 2) is bi-directional for serial data transfer. The host uses SDA in conjunction with

OCRE COMMUNICATION LIMITED Web: www.ocrecom.com E-Mail: sales@ocrecom.com Add. Dist.A, Building 6, Bay on the six block, Xixiang, Baoan Dist. Shenzhen, 518102 China Tel: + 86 755 2335 3855 Fax: + 86 755 2335 3855	DESIGN	CHECK	CHECK	APPROVAL



Communication Limited

Datasheet

DS10-E014
Rev.: 2016-05-18

Product SFP+ Transceiver
OE series

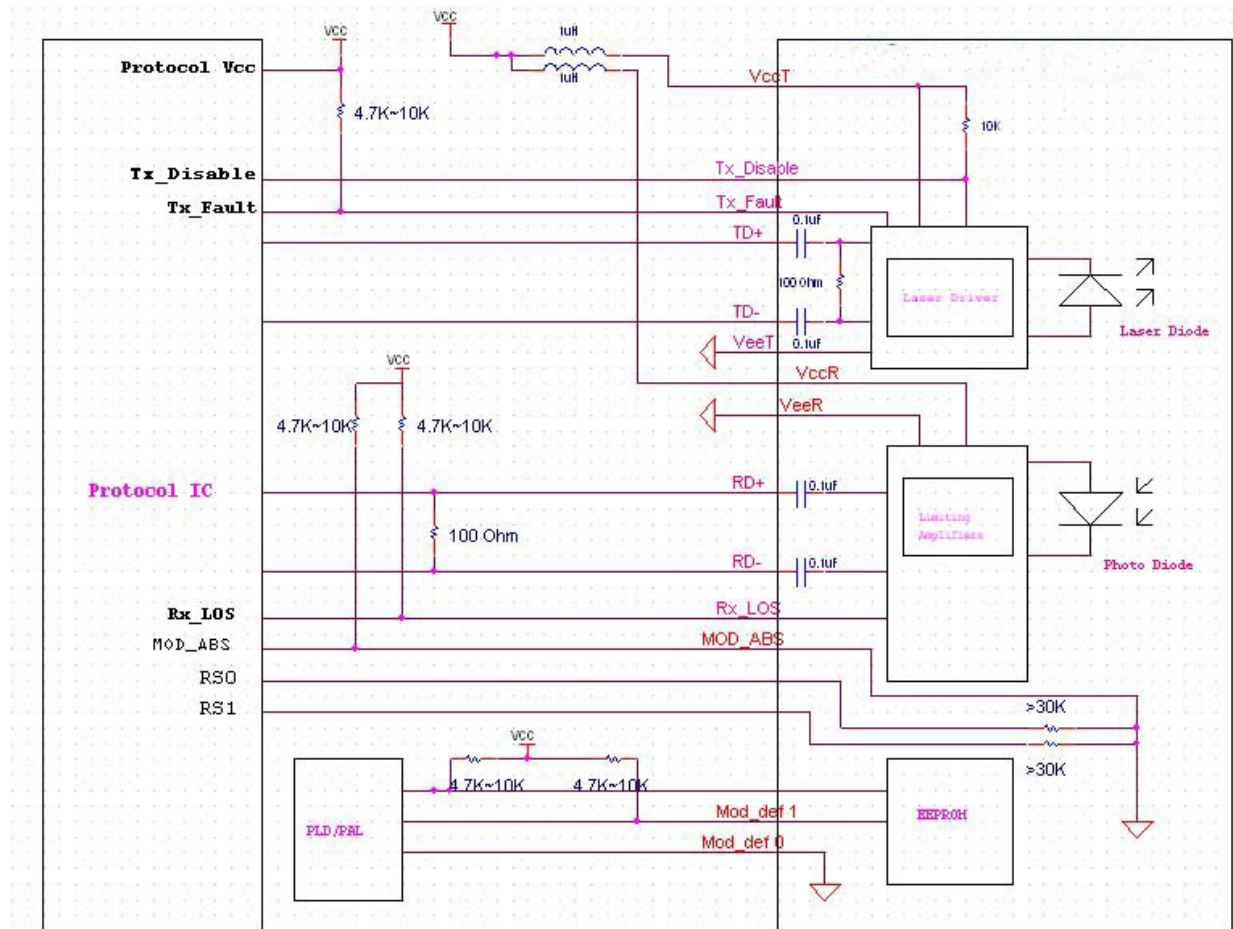
Ver. 000

Part No. OED65041


Rev.
Page 9 / 10

SCL to mark the start and end of serial protocol activation. The memories are organized as a series of 8-bit data words that can be addressed individually or sequentially.

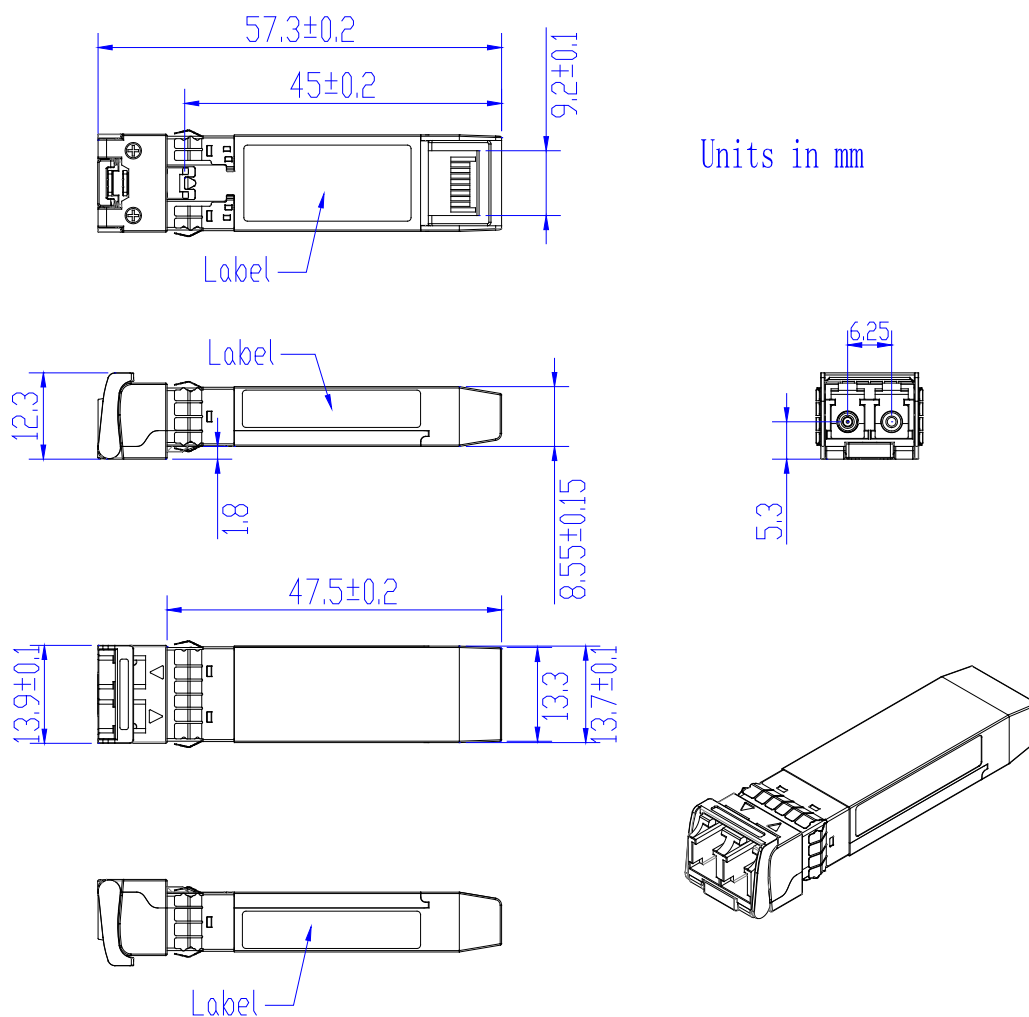
11. Host - Transceiver Interface Block Diagram



OCRE COMMUNICATION LIMITED Web: www.ocrecom.com E-Mail: sales@ocrecom.com Add. Dist.A, Building 6, Bay on the six block, Xixiang, Baoan Dist. Shenzhen, 518102 China Tel: + 86 755 2335 3855 Fax: + 86 755 2335 3855	DESIGN	CHECK	CHECK	APPROVAL

 CRE Communication Limited	Datasheet		DS10-E014 Rev.: 2016-05-18	
	Product	SFP+ Transceiver OE series	Ver.	000
	Part No.	OED65041	Rev.	
			Page	10 / 10

12. Mechanical Specifications



13. Model Ordering Information

PN	Description
OTED641	Tunable SFP+, 10Gb/s C-band DWDM 80KM LC DDMI 0~70°C

OCRE COMMUNICATION LIMITED Web: www.ocrecom.com E-Mail: sales@ocrecom.com Add. Dist.A, Building 6, Bay on the six block, Xixiang, Baoan Dist. Shenzhen, 518102 China Tel: + 86 755 2335 3855 Fax: + 86 755 2335 3855	DESIGN	CHECK	CHECK	APPROVAL