	Datasheet	No.	DS10-F010
		Initial Date	2012-07-29
OF	OFB6Cxx414	Written Team	R&D Dept.
			GH Zheng

I Preview


PN	OFB6Cxx414
Description	XFP Bi-Di 1270nm/1310nm 40KMLC DDMI 0~70 °C

II Contents

1. Features
2. Applications
3. Description
4. Absolute maximum Ratings
5. Operating Environment
6. Optical and Electrical Characteristics
7. Pin Information
8. Management Interface
9. Digital Diagnostic Memory Map
10. Recommended Host Board Power Supply Circuit
11. Recommended High-speed Interface Circuit
12. Mechanical Dimensions
13. Model Name information

III Revision History

No.	Date	Items	Change Recording	Ver.	Rev.	Customer
1	2012-07-29	All	Initial registration	000	000	Standard
2						
3						
4						
5						
6						

 Communication Limited	Datasheet		DS10-F010 Final Rev.:2012.07.29	
	Product	XFP transceiver OF serials	Ver.	000
	Part No.	OFB6Cxx414	Rev.	000
			Page	2 / 8

1. Features

- ◆ Supports 8.0Gb/s to 11.1Gb/s bit rates
- ◆ Hot-pluggable XFP footprint, Built-in digital diagnos
- ◆ Maximum link length of 40km with SMF
- ◆ 1270/1330nm DFB laser and PIN photodiode
- ◆ XFP MSA package with duplex LC connector
- ◆ No reference clock required
- ◆ Single +3.3V power supply
- ◆ Power dissipation <1.5W
- ◆ Compatible with RoHS
- ◆ Temperature range: 0 to +70°C

2. Applications

- ◆ SONET OC-192&SDH STM-64 at 9.953Gbps
- ◆ 10GBASE-LR/LW 10G Ethernet
- ◆ 1200-SM-LL-L 10G Fibre Channel
- ◆ 10GE over G.709 at 11.09Gbps
- ◆ OC192 over FEC at 10.709Gbps
- ◆ Other optical links, up to 11.1Gbps

3. Description

OFB6Cxx414 is compliant with the 10G Small Form-Factor Pluggable (XFP) Multi-Source Agreement (MSA), supporting data-rate of 8.0~11.1Gbps, and transmission distance up to 40km on SMF. The transceiver module comprises a transmitter with 1270/1330nm DFB laser and a receiver with a PIN photodiode. Transmitter and receiver are separate within a wide temperature range and offers optimum heat dissipation and excellent electromagnetic shielding thus enabling high port densities for 10 GbE systems.


4. Absolute Maximum Ratings

Parameter	Symbol	Min	Max	Unit
Supply Voltage	Vcc	-0.5	4.5	V
Storage Temperature	Ts	-40	+85	°C
Operating Humidity	-	5	95	%

5. Operating Conditions

Parameter	Symbol	Min	Typical	Max	Unit
Operating Case Temperature	Tc	0		+70	°C

OCRE COMMUNICATION LIMITED Web: www.ocrecom.com E-Mail: sales@ocrecom.com Add. Dist.A, Building 6, Bay on the six block, Xixiang, Baoan Dist, Shenzhen, China 518000 Tel: + 86 755 2335 3855 Fax: + 86 755 2335 3855	DESIGN	CHECK	CHECK	APPROVAL

 Communication Limited	Datasheet		DS10-F010 Final Rev.:2012.07.29	
	Product	XFP transceiver OF serials	Ver.	000
	Part No.	OFB6Cxx414	Rev.	000
			Page	3 / 8

Power Supply Voltage	V _{cc}	3.135	3.30	3.465	V
Power Supply Current	I _{cc}			600	mA
Data Rate		8	10.3	11.1	Gbps


6. Optical and Electrical Characteristics

Parameter	Symbol	Min	Typical	Max	Unit	Notes
Transmitter						
Centre Wavelength	λ_c	1260/1320	1270/1330	1280/1340	nm	
Spectral Width (-20dB)	$\Delta\lambda$			1	nm	
Side-Mode Suppression Ratio	SMSR	30			dB	
Average Output Power	P _{out}	-2		3	dBm	1
Extinction Ratio	ER	3.5			dB	
Data Input Swing Differential	V _{IN}	180		950	mV	2
Input Differential Impedance	Z _{IN}	90	100	110	Ω	
TX Disable	Disable	2.0		V _{cc}	V	
	Enable	0		0.8	V	
Receiver						
Centre Wavelength	λ_c	1320/1260	1330/1270	1340/1280	nm	
Receiver Sensitivity				-20	dBm	3
Receiver Overload		0.5			dBm	3
LOS De-Assert	LOS _D			-20	dBm	
LOS Assert	LOS _A	-30			dBm	
LOS Hysteresis		0.5		4	dB	
Data Output Swing Differential	V _{out}	400	600	800	mV	2
LOS	High	2.0		V _{cc}	V	
	Low			0.8	V	

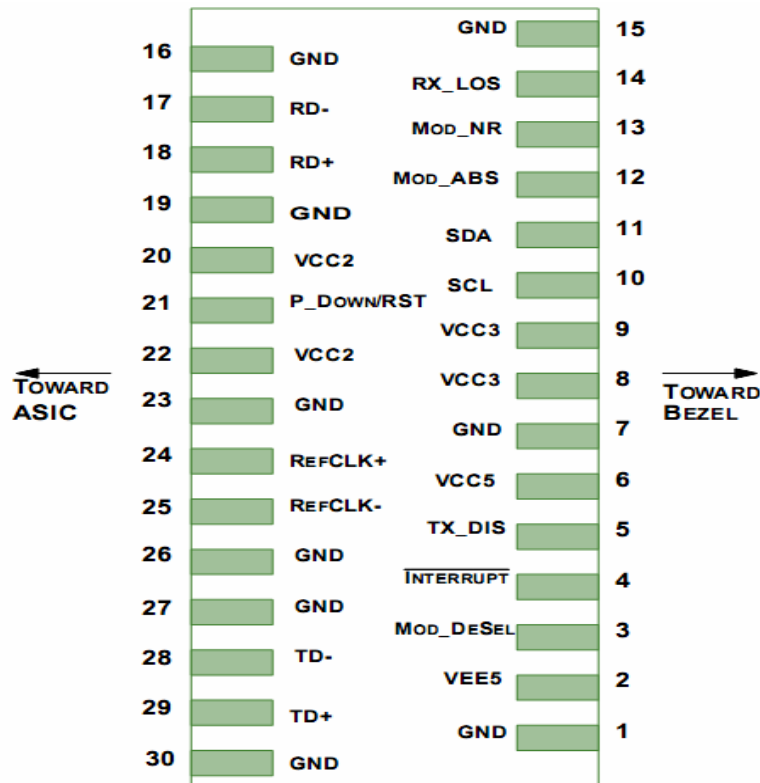
Notes:

1. The optical power is launched into SMF.
2. Internally AC-coupled.
3. Measured with a PRBS 2³¹-1 test pattern @9953Mbps, BER ≤ 1 × 10⁻¹².

OCRE COMMUNICATION LIMITED Web: www.ocrecom.com E-Mail: sales@ocrecom.com Add. Dist.A, Building 6, Bay on the six block, Xixiang, Baoan Dist, Shenzhen, China 518000 Tel: + 86 755 2335 3855 Fax: + 86 755 2335 3855	DESIGN	CHECK	CHECK	APPROVAL


 Communication Limited	Datasheet		DS10-F010 Final Rev.:2012.07.29	
	Product	XFP transceiver OF serials	Ver.	000
	Part No.	OFB6Cxx414	Rev.	000
			Page	4 / 8

7. Pin information



Pin	Logic	Symbol	Name/Description	Ref
1		GND	Module Ground	1
2		VEE5	Optional -5.2 Power Supply - Not required	
3	LVTTL-I	Mod-Desel	Module De-select; When held low allows the module to, respond to 2-wire serial interface commands	
4	LVTTL-O	Interrupt	Interrupt (bar); Indicates presence of an important condition which can be read over the serial 2-wire interface	2
5	LVTTL-I	TX_DIS	Transmitter Disable; Transmitter laser source turned off	
6		VCC5	+5 Power Supply - Not required	
7		GND	Module Ground	1
8		VCC3	+3.3V Power Supply	
9		VCC3	+3.3V Power Supply	
10	LVTTL-I	SCL	Serial 2-wire interface clock	2
11	LVTTL-IO	SDA	Serial 2-wire interface data line	2
12	LVTTL-O	Mod_Abs	Module Absent; Indicates module is not present. Grounded in the module.	2
13	LVTTL-O	Mod_NR	Module Not Ready;	2
14	LVTTL-O	RX_LOS	Receiver Loss of Signal indicator	2
15		GND	Module Ground	1

OCRE COMMUNICATION LIMITED Web: www.ocrecom.com E-Mail: sales@ocrecom.com Add. Dist.A, Building 6, Bay on the six block, Xixiang, Baoan Dist, Shenzhen, China 518000 Tel: + 86 755 2335 3855 Fax: + 86 755 2335 3855	DESIGN	CHECK	CHECK	APPROVAL

 Communication Limited	Datasheet		DS10-F010 Final Rev.:2012.07.29	
	Product	XFP transceiver OF serials	Ver.	000
	Part No.	OFB6Cxx414	Rev.	000
			Page	5 / 8

16		GND	Module Ground	1
17	CML-O	RD-	Receiver inverted data output	
18	CML-O	RD+	Receiver non-inverted data output	
19		GND	Module Ground	1
20		VCC2	+1.8V Power Supply – Not required	
21	LVTTIL-I	P_Down/RS	Power Down; When high, places the module in the low power stand-by mode and on the falling edge of P_Down initiates a module reset	
			Reset; The falling edge initiates a complete reset of the module including the 2-wire serial interface, equivalent to a power cycle.	
22		VCC2	+1.8V Power Supply – Not required	
23		GND	Module Ground	1
24	PECL-I	RefCLK+	Reference Clock non-inverted input, AC coupled on the host board – Not required	3
25	PECL-I	RefCLK-	Reference Clock inverted input, AC coupled on the host board – Not required	3
26		GND	Module Ground	1
27		GND	Module Ground	1
28	CML-I	TD-	Transmitter inverted data input	
29	CML-I	TD+	Transmitter non-inverted data input	
30		GND	Module Ground	1

Notes:

1. Module circuit ground is isolated from module chassis ground within the module.
2. Open collector, should be pulled up with 4.7k – 10k ohms on host board to a voltage between 3.15V and 3.6V.
3. A Reference Clock input is not required.

8. Management Interface

The transceivers provide serial ID memory contents and diagnostic information about the present operating conditions by the 2-wire serial interface (SCL, SDA). The Module provides diagnostic information about the present operating conditions. The transceiver generates this diagnostic data by digitization of internal analog signals. Alarm/warning threshold data is written during device manufacture. Received power monitoring, transmitted power monitoring, bias current monitoring, supply voltage monitoring and temperature monitoring all are implemented.

OCRE COMMUNICATION LIMITED Web: www.ocrecom.com E-Mail: sales@ocrecom.com Add. Dist.A, Building 6, Bay on the six block, Xixiang, Baoan Dist, Shenzhen, China 518000 Tel: + 86 755 2335 3855 Fax: + 86 755 2335 3855	DESIGN	CHECK	CHECK	APPROVAL



Communication Limited

Datasheet

DS10-F010
Final Rev.:2012.07.29

Product

XFP transceiver
OF serials

Ver.

000

Part No.

OFB6Cxx414

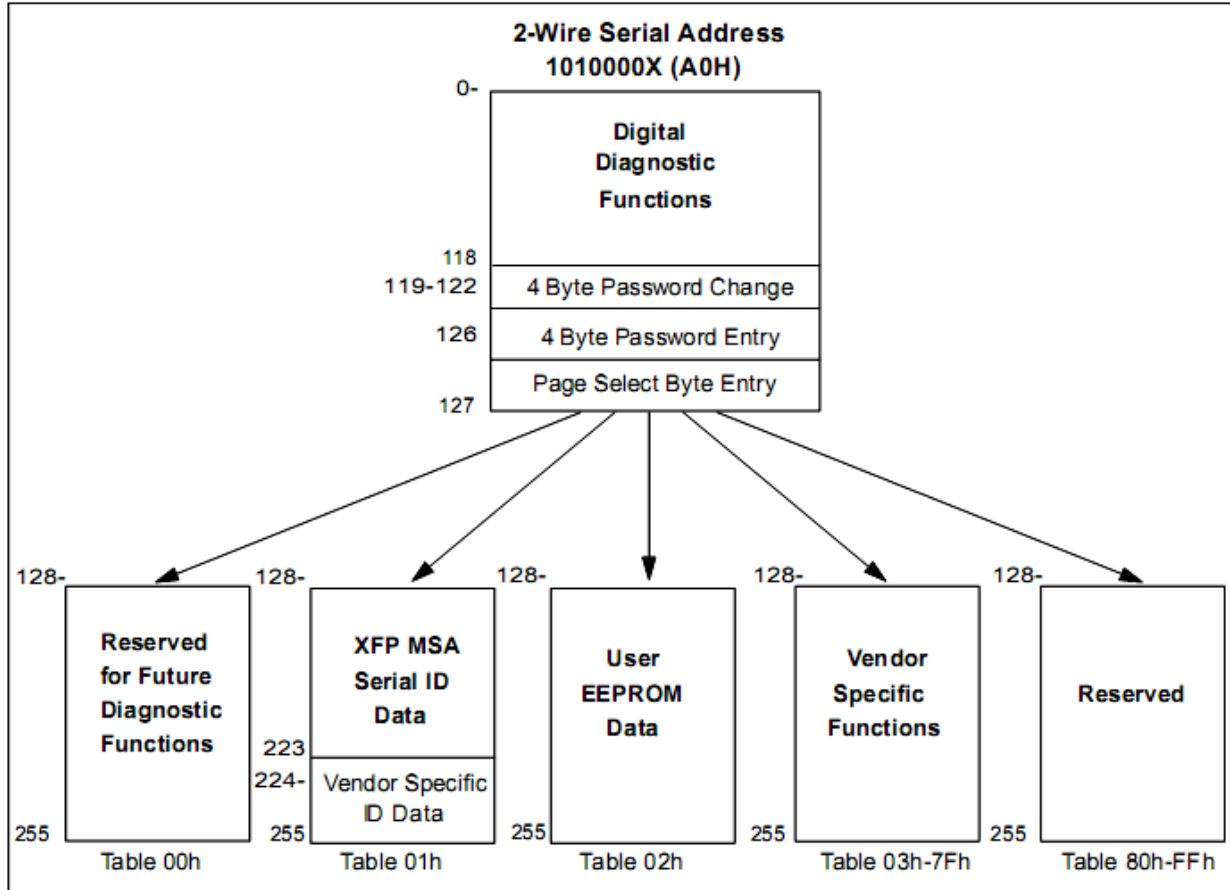
Rev.

000

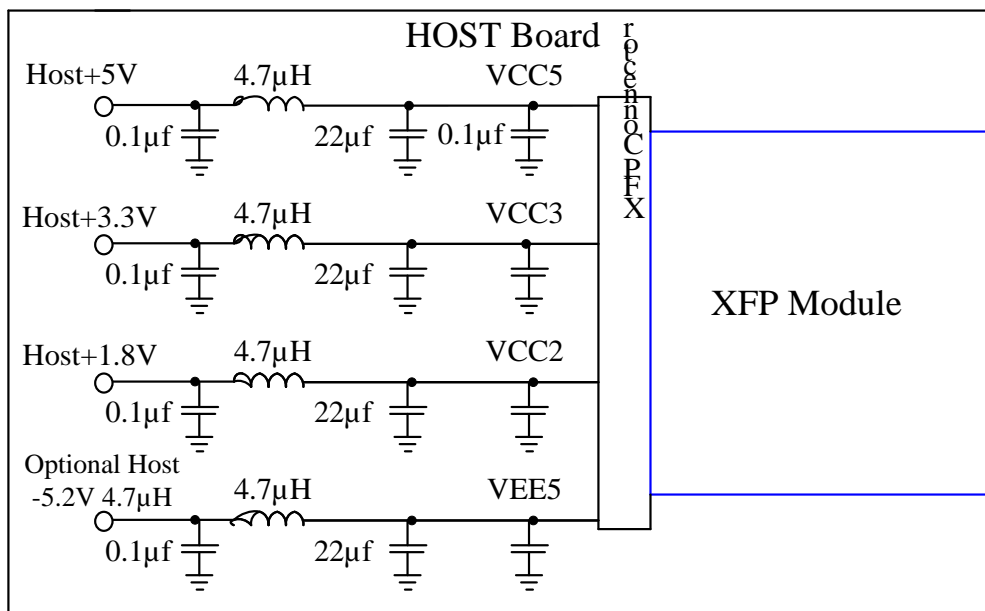
Page

6 / 8

9. Digital Diagnostic Memory Map



10. Recommended Host Board Power Supply Circuit



OCRE COMMUNICATION LIMITED

Web: www.ocrecom.com

E-Mail: sales@ocrecom.com

Add. Dist.A, Building 6, Bay on the six block, Xixiang,
Baoan Dist, Shenzhen, China 518000

Tel: + 86 755 2335 3855 Fax: + 86 755 2335 3855

DESIGN	CHECK	CHECK	APPROVAL



Communication Limited

Datasheet

DS10-F010
Final Rev.:2012.07.29

Product XFP transceiver
OF serials

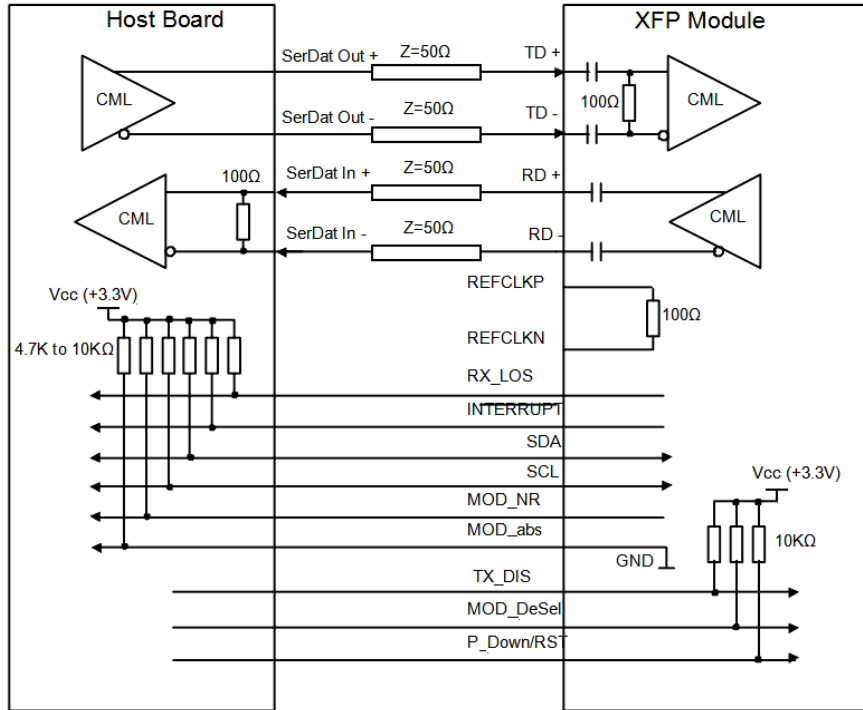
Part No. OFB6Cxx414

Ver. 000

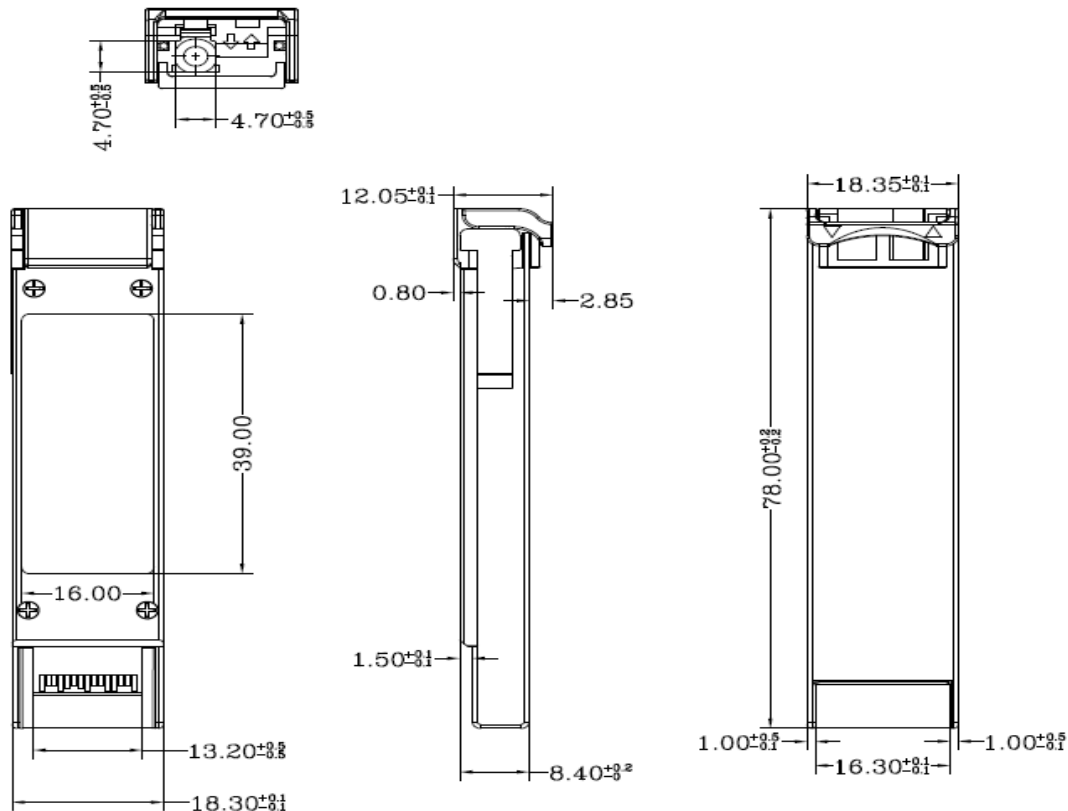
Rev. 000

Page 7 / 8

11. Recommended High-speed Interface Circuit




12. Mechanical Dimensions



OCRE COMMUNICATION LIMITED

Web: www.ocrecom.com
E-Mail: sales@ocrecom.com
Add. Dist.A, Building 6, Bay on the six block, Xixiang,
Baoan Dist, Shenzhen, China 518000
Tel: + 86 755 2335 3855 Fax: + 86 755 2335 3855

DESIGN	CHECK	CHECK	APPROVAL

 Communication Limited	Datasheet		DS10-F010 Final Rev.:2012.07.29	
	Product	XFP transceiver OF serials	Ver.	000
	Part No.	OFB6Cxx414	Rev.	000
			Page	8 / 8

13. Model Name information

PN	Description
OFB6C03414	XFP Bi-Di Tx1270nm/Rx1310nm 40KMLC DDMI 0~70 °C
OFB6C30414	XFP Bi-Di Tx1330nm/Rx1270nm 40KMLC DDMI 0~70 °C
OFB6C03424	XFP Bi-Di Tx1270nm/Rx1310nm 40KMLC DDMI -40~85 °C
OFB6C30424	XFP Bi-Di Tx1330nm/Rx1270nm 40KMLC DDMI -40~85 °C

OCRE COMMUNICATION LIMITED Web: www.ocrecom.com E-Mail: sales@ocrecom.com Add. Dist.A, Building 6, Bay on the six block, Xixiang, Baoan Dist, Shenzhen, China 518000 Tel: + 86 755 2335 3855 Fax: + 86 755 2335 3855	DESIGN	CHECK	CHECK	APPROVAL