



Datasheet

No.

DS10-E011

Initial Date

2010-07-29

OE

OEB6Cxx416

Written Team

R&D Dept.

GH Zheng

I Preview


PN	OEB6Cxx416
Description	SFP+ Bi-Di 1270nm/1310nm 60KMLCDDMI0~70 °C

II Contents

1. Features
2. Applications
3. Description
4. Absolute maximum Ratings
5. Operating Environment
6. Optical and Electrical Characteristics
7. Timing and Electrical
8. Diagnostics
9. Digital Diagnostic Memory Map
10. Pin Descriptions
11. Recommended Interface Circuit
12. Mechanical Dimensions
13. Model Ordering Information

III Revision History

No.	Date	Items	Change Recording	Ver.	Rev.	Customer
1	2010-07-29	All	Initial registration	000	000	Standard
2						
3						
4						
5						
6						

 CRE Communication Limited	Datasheet		DS10-E011 Final Rev.:2010.07.29	
	Product	SFP+ transceiver OE serials	Ver.	000
	Part No.	OEB6Cxx416	Rev.	000
			Page	2 / 8

1. Features:

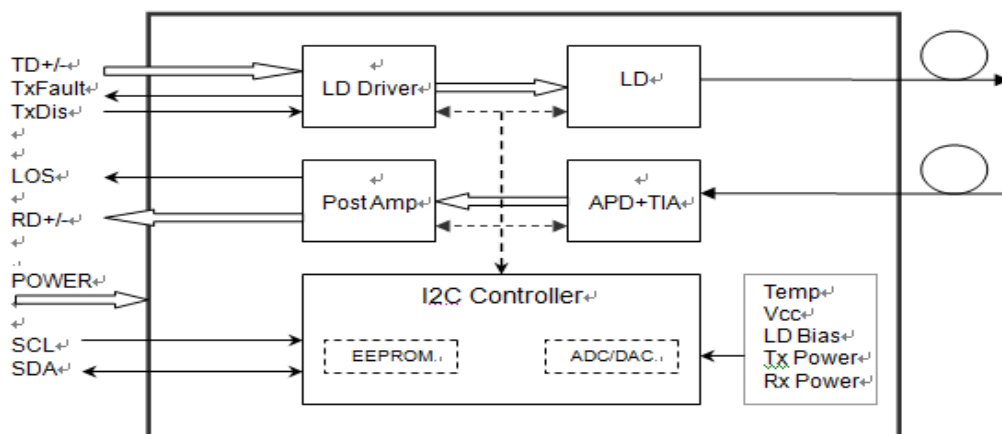
- ◆ Supports up to 10.7Gbps bit rates
- ◆ Hot-pluggable SFP+ footprint
- ◆ 1330/1270nm DFB laser and APD photodiode, Up to 60km for SMF transmission
- ◆ Compliant with SFP+ MSA and SFF-8472 with duplex LC receptacle
- ◆ Compatible with RoHS
- ◆ Single +3.3V power supply
- ◆ Real Time Digital Diagnostic Monitoring
- ◆ Operating case temperature:
- ◆ Standard: 0 to +70°C
- ◆ Industrial: -40 to +85°C

2. Applications:

- ◆ 10Gbps Optical systems
- ◆ 10GBASE-LR at 10.3125Gbps
- ◆ 10GBASE-LW at 9.953Gbps
- ◆ LTE systems
- ◆ Other Optical links


3. Description:

OEB6Cxx416 is high performance, cost effective modules supporting data rate of 10Gbps and 60km transmission distance with SMF. The transceiver consists of three sections: a DFB laser transmitter, a APD photodiode integrated with a trans-impedance preamplifier (TIA) and MCU control unit. All modules satisfy class I laser safety requirements. The transceivers are compatible with SFP Multi-Source Agreement and SFF-8472 digital diagnostics functions.



Transceiver functional diagram

OCRE COMMUNICATION LIMITED Web: ww.ocrecom.com E-Mail: sales@ocrecom.com Add. Dist.A, Building 6, Bay on the six block, Xixiang, Baoan Dist, Shenzhen, China 518000 Tel: + 86 755 2335 3855 Fax: + 86 755 2335 3855	DESIGN	CHECK	CHECK	APPROVAL

 Communication Limited	Datasheet		DS10-E011 Final Rev.:2010.07.29	
	Product	SFP+ transceiver OE serials	Ver.	000
	Part No.	OEB6Cxx416	Rev.	000
			Page	3 / 8

4. Absolute Maximum Ratings

Parameter	Symbol	Min	Max	Unit
Storage Temperature	T _{ST}	-40	+85	°C
Supply Voltage	V _{CC3}	0	+3.6	V
Relative Humidity	RH	5	95	%


5. Operation Environment:

Parameter	Symbol	Min	Typ	Max	Unit
Date Rate			10.3125		Gb/s
Supply Voltage	V _{CC}	+3.14	3.3	+3.47	V
Supply Current	I _{CC}		380	450	mA
Power Dissipation	PD			2	W
Operating Temperature	T _{OP}	0	25	+70	°C

6. Optical and Electrical Characteristics

Parameter	Symbol	Min	Typical	Max	Unit	Notes
Transmitter						
Centre Wavelength	λ_c	1320/1260	1330/1270	1340/1280	nm	
Spectral Width (-20dB)	$\Delta\lambda$			1	nm	
Side-Mode Suppression Ratio	SMSR	30	-		dB	
Average Output Power	P _{out}	0		5	dBm	1
Extinction Ratio	ER	3.5			dB	
Data Input Swing Differential	V _{IN}	180		850	mV	2
Input Differential Impedance	Z _{IN}	90	100	110	Ω	
TX Disable	Disable	2.0		V _{CC}	V	
	Enable	0		0.8	V	
TX Fault	Fault	2.0		V _{CC}	V	
	Normal	0		0.8	V	
Receiver						
Centre Wavelength	λ_c	1260/1320	1270/1330	1280/1340	nm	
Receiver Sensitivity				-24	dBm	3
Receiver Overload		0.5			dBm	3
LOS De-Assert	LOS _D			-24	dBm	
LOS Assert	LOS _A	-35			dBm	

OCRE COMMUNICATION LIMITED Web: ww.ocrecom.com E-Mail: sales@ocrecom.com Add. Dist.A, Building 6, Bay on the six block, Xixiang, Baoan Dist, Shenzhen, China 518000 Tel: + 86 755 2335 3855 Fax: + 86 755 2335 3855	DESIGN	CHECK	CHECK	APPROVAL

 Communication Limited	Datasheet		DS10-E011 Final Rev.:2010.07.29	
	Product	SFP+ transceiver OE serials	Ver.	000
	Part No.	OEB6Cxx416	Rev.	000
			Page	4 / 8

LOS Hysteresis		0.5			dB	
Data Output Swing Differential	V _{out}	300		900	mV	4
LOS	High	2.0		V _{cc}	V	
	Low			0.8	V	

Notes:

1. The optical power is launched into SMF.
2. PECL input, internally AC-coupled and terminated.
3. Measured with a PRBS 2³¹-1 test pattern @10312Mbps, BER ≤1×10⁻¹².
4. Internally AC-coupled.


7. Timing and Electrical

Parameter	Symbol	Min	Typical	Max	Unit
Tx Disable Negate Time	t _{on}			1	ms
Tx Disable Assert Time	t _{off}			10	μs
Time To Initialize, including Reset of Tx Fault	t _{init}			300	ms
Tx Fault Assert Time	t _{fault}			100	μs
Tx Disable To Reset	t _{reset}	10			μs
LOS Assert Time	t _{loss_on}			100	μs
LOS De-assert Time	t _{loss_off}			100	μs
Serial ID Clock Rate	f _{serial_clock}		100	400	KHz
MOD_DEF (0:2)-High	V _H	2		V _{cc}	V
MOD_DEF (0:2)-Low	V _L			0.8	V

8. Diagnostics

Parameter	Range	Unit	Accuracy	Calibration
Temperature	0 to +70	°C	±3°C	Internal
Voltage	3.0 to 3.6	V	±3%	Internal
Bias Current	0 to 100	mA	±10%	Internal

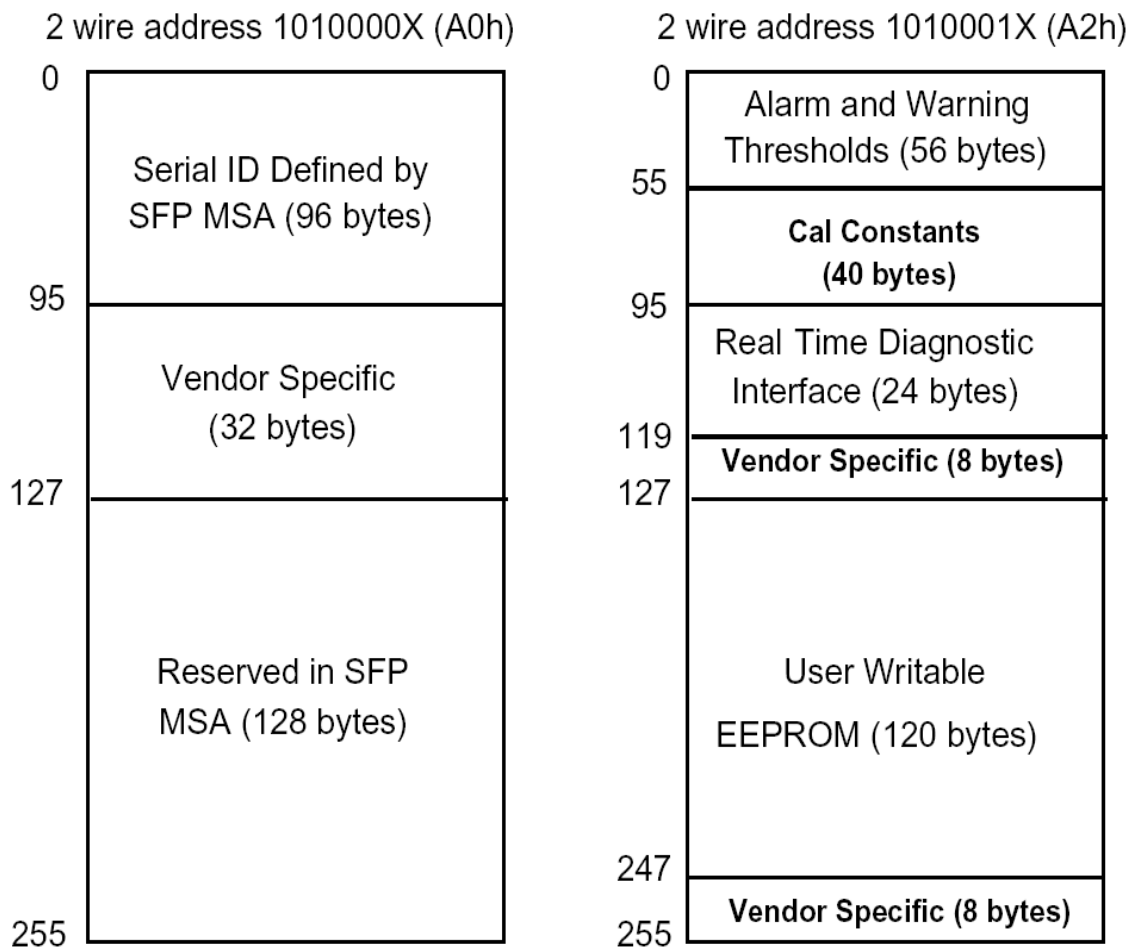
OCRE COMMUNICATION LIMITED Web: ww.ocrecom.com E-Mail: sales@ocrecom.com Add. Dist.A, Building 6, Bay on the six block, Xixiang, Baoan Dist, Shenzhen, China 518000 Tel: + 86 755 2335 3855 Fax: + 86 755 2335 3855	DESIGN	CHECK	CHECK	APPROVAL

 CRE Communication Limited	Datasheet		DS10-E011 Final Rev.:2010.07.29	
	Product	SFP+ transceiver OE serials	Ver.	000
	Part No.	OEB6Cxx416	Rev.	000
			Page	5 / 8


TX Power	-5 to 0	dBm	±3dB	Internal
RX Power	-15 to 1	dBm	±3dB	Internal

9. Digital Diagnostic Memory Map

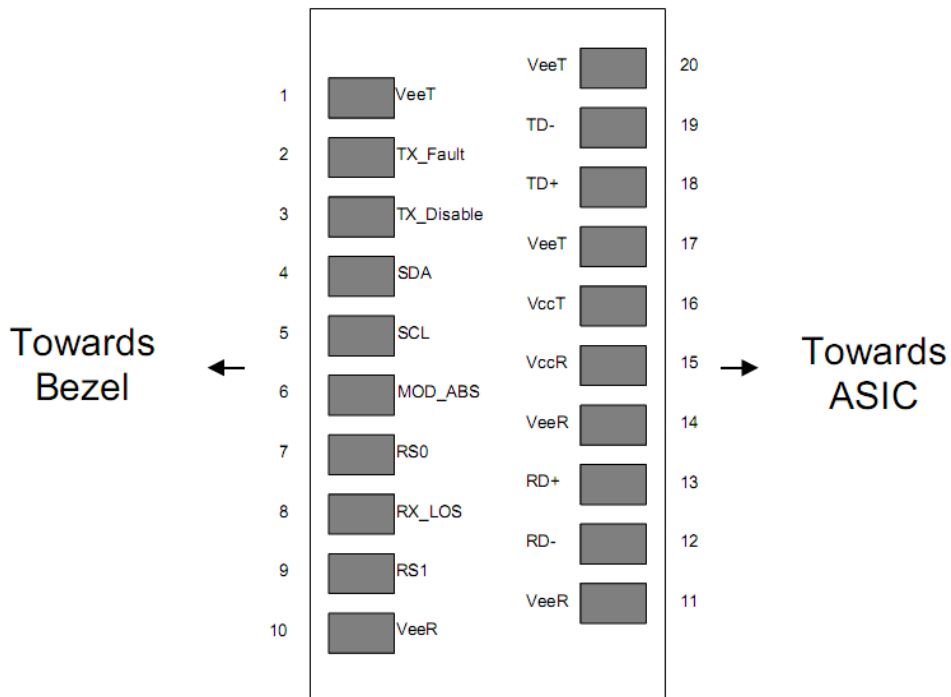
The transceivers provide serial ID memory contents and diagnostic information about the present operating conditions by the 2-wire serial interface (SCL, SDA). The diagnostic information with internal calibration or external calibration all are implemented, including received power monitoring, transmitted power monitoring, bias current monitoring, supply voltage monitoring and temperature monitoring. The digital diagnostic memory map specific data field defines as following.



OCRE COMMUNICATION LIMITED Web: ww.ocrecom.com E-Mail: sales@ocrecom.com Add. Dist.A, Building 6, Bay on the six block, Xixiang, Baoan Dist, Shenzhen, China 518000 Tel: + 86 755 2335 3855 Fax: + 86 755 2335 3855	DESIGN	CHECK	CHECK	APPROVAL


 CRE Communication Limited	Datasheet		DS10-E011 Final Rev.:2010.07.29	
	Product	SFP+ transceiver OE serials	Ver.	000
	Part No.	OEB6Cxx416	Rev.	000
			Page	6 / 8

10. Pin Descriptions



Pin	Signal Name	Description	Plug Seq.	Notes
1	V _{EET}	Transmitter Ground	1	
2	TXFAULT	Transmitter Fault Indication	3	Note 1
3	TXDISABLE	Transmitter Disable	3	Note 2
4	SDA	SDA Serial Data Signal	3	
5	SCL	SCL Serial Clock Signal	3	
6	MOD_ABS	Module Absent. Grounded within the module	3	
7	RS0	Not Connected	3	
8	LOS	Loss of Signal	3	Note 3
9	RS1	Not Connected	3	
10	V _{EER}	Receiver ground	1	
11	V _{EER}	Receiver ground	1	
12	RD-	Inv. Received Data Out	3	Note 4
13	RD+	Received Data Out	3	Note 4
14	V _{EER}	Receiver ground	1	
15	V _{CCR}	Receiver Power Supply	2	
16	V _{CCT}	Transmitter Power Supply	2	
17	V _{EET}	Transmitter Ground	1	

OCRE COMMUNICATION LIMITED Web: ww.ocrecom.com E-Mail: sales@ocrecom.com Add. Dist.A, Building 6, Bay on the six block, Xixiang, Baoan Dist, Shenzhen, China 518000 Tel: + 86 755 2335 3855 Fax: + 86 755 2335 3855	DESIGN	CHECK	CHECK	APPROVAL

 CRE Communication Limited	Datasheet		DS10-E011 Final Rev.:2010.07.29	
	Product	SFP+ transceiver OE serials	Ver.	000
	Part No.	OEB6Cxx416	Rev.	000
			Page	7 / 8

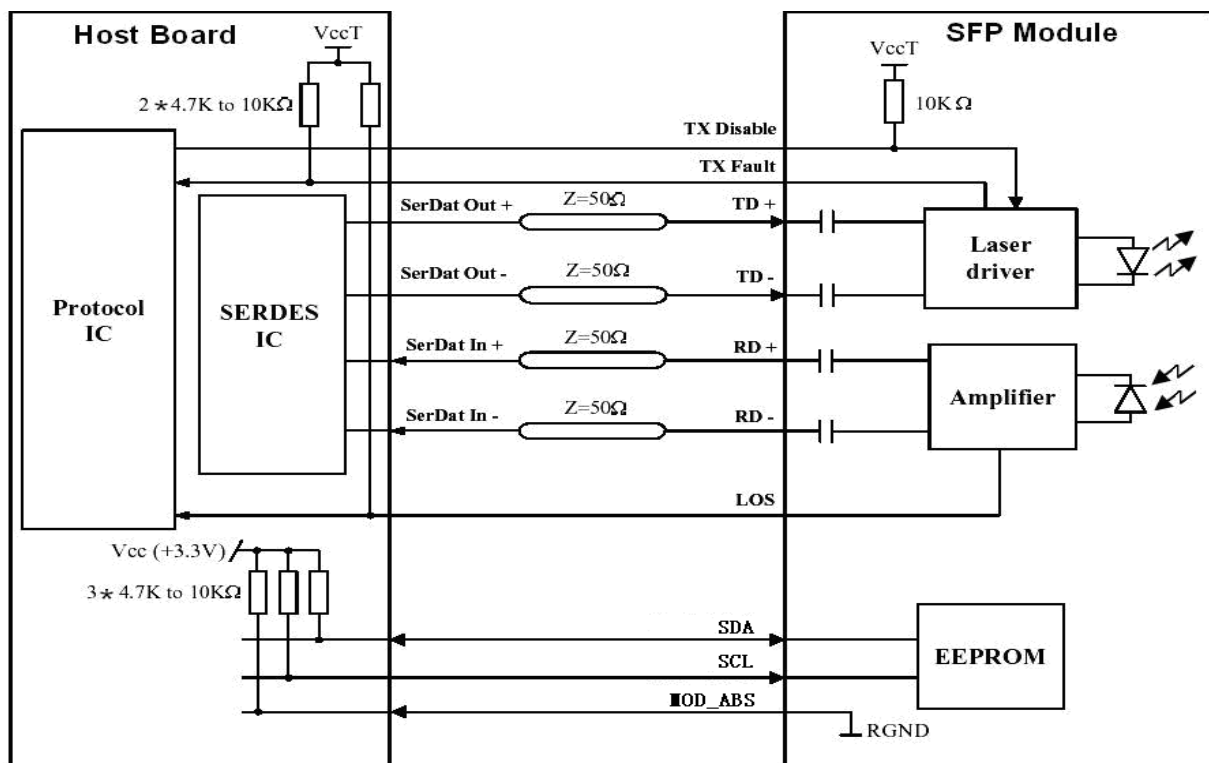
18	TD+	Transmit Data In	3	Note 5
19	TD-	Inv. Transmit Data In	3	Note 5
20	V _{EET}	Transmitter Ground	1	

Notes:


Plug Seq.: Pin engagement sequence during hot plugging.

- 1) TX Fault is an open collector output, which should be pulled up with a 4.7k~10kΩ resistor on the host board to a voltage between 2.0V and V_{cc}+0.3V. Logic 0 indicates normal operation; Logic 1 indicates a laser fault of some kind. In the low state, the output will be pulled to less than 0.8V.
- 2) Laser output disabled on TDIS >2.0V or open, enabled on TDIS <0.8V.
- 3) LOS is open collector output. Should be pulled up with 4.7k~10kΩ on host board to a voltage between 2.0V and 3.6V. Logic 0 indicates normal operation; logic 1 indicates loss of signal.
- 4) RD-/+ : These are the differential receiver outputs. They are internally AC-coupled 100 differential lines which should be terminated with 100Ω (differential) at the user SERDES.
- 5) TD-/+ : These are the differential transmitter inputs. They are internally AC-coupled, differential lines with 100Ω differential termination inside the module.

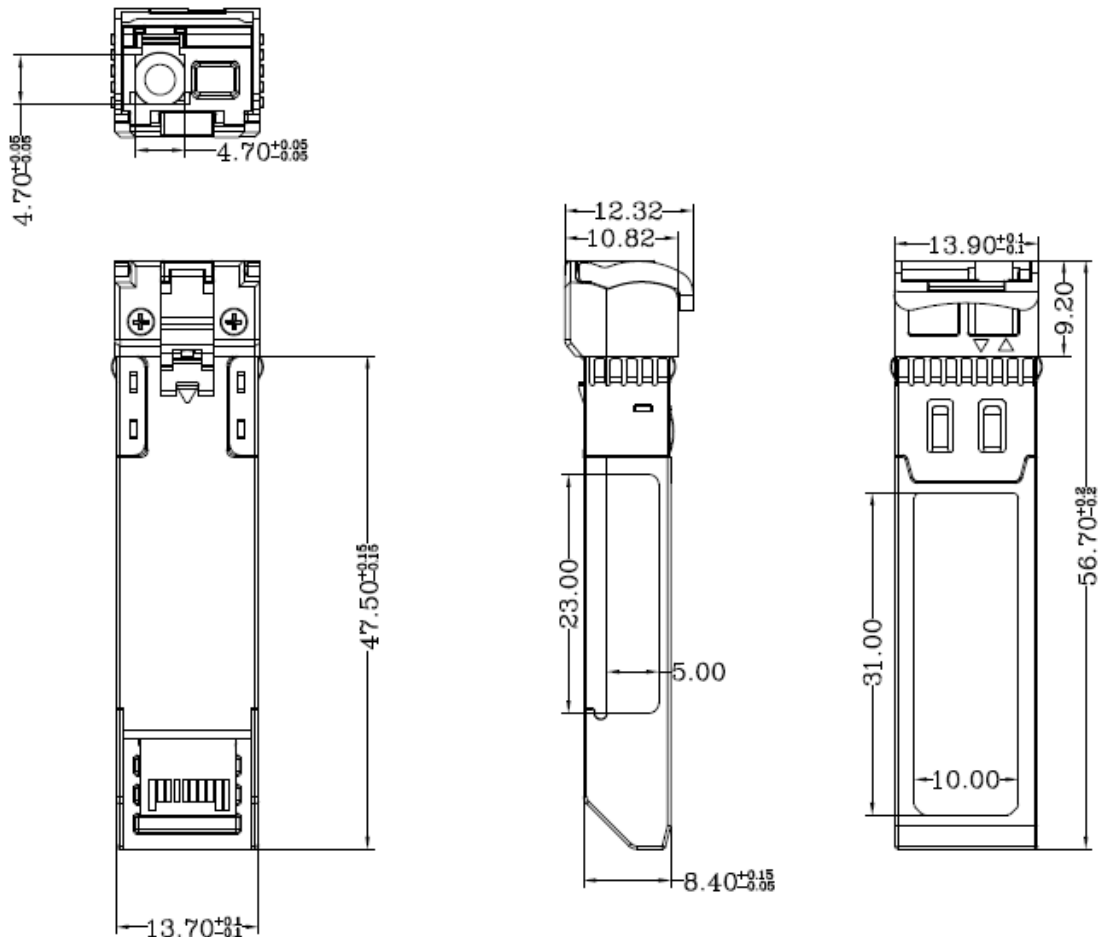
11. Recommended Interface Circuit



OCRE COMMUNICATION LIMITED Web: ww.ocrecom.com E-Mail: sales@ocrecom.com Add. Dist.A, Building 6, Bay on the six block, Xixiang, Baoan Dist, Shenzhen, China 518000 Tel: + 86 755 2335 3855 Fax: + 86 755 2335 3855	DESIGN	CHECK	CHECK	APPROVAL

 CRE Communication Limited	Datasheet		DS10-E011 Final Rev.:2010.07.29	
	Product	SFP+ transceiver OE serials	Ver.	000
	Part No.	OEB6Cxx416	Rev.	000
			Page	8 / 8

12. Mechanical Dimensions



13. Model Ordering Information

PN	Description
OEB6C03416	10G SFP+ Bi-Di Tx1270nm/Rx1310nm 60KMLC DDMI 0~70 °C
OEB6C30416	10G SFP+ Bi-Di Tx1330nm/Rx1270nm 60KMLC DDMI 0~70 °C
OEB6C03426	10G SFP+ Bi-Di Tx1270nm/Rx1310nm 60KMLC DDMI -40~85 °C
OEB6C30426	10G SFP+ Bi-Di Tx1330nm/Rx1270nm 60KMLC DDMI -40~85 °C

OCRE COMMUNICATION LIMITED Web: ww.ocrecom.com E-Mail: sales@ocrecom.com Add. Dist.A, Building 6, Bay on the six block, Xixiang, Baoan Dist, Shenzhen, China 518000 Tel: + 86 755 2335 3855 Fax: + 86 755 2335 3855	DESIGN	CHECK	CHECK	APPROVAL